

Flysch

Your sustainable and long-lasting choice



 **INDAUX**
Smart Simplicity





Flysch is more than a drawer, it is the intelligent answer for those who are looking for **adaptability** and **reliability** in every detail. Designed to fit into any environment, its versatile design adjusts to your ideas, providing unlimited solutions.

Manufactured in the heart of Europe, Flysch provides you with the **confidence** of a product that is close to you, with the **quality** guarantee and respect for the environment that today's world demands. It is a choice that connects innovation with **sustainability**, giving you the peace of mind that you are doing the right thing, both for your projects and for the planet.

EUROPEAN SAFETY GUARANTEED



Manufactured entirely in Europe, our drawer complies with the demanding EN 15338 level 3 norm, guaranteeing the highest safety standards. Designed to offer two load capacities, it ensures maximum reliability in every use, providing the confidence of a product made under strict European controls.





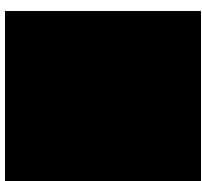
Our metal drawer fits so subtly and harmoniously that it blends in with the design and essence of the furniture. Thanks to its modern aesthetics, wide range of colours, versatile adjustments and diverse

load capacities, it becomes a natural extension of the furniture, offering storage solutions without breaking the visual fluidity of the environment.

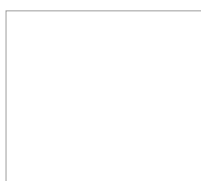
PERFECT FUSION WITH THE FURNITURE



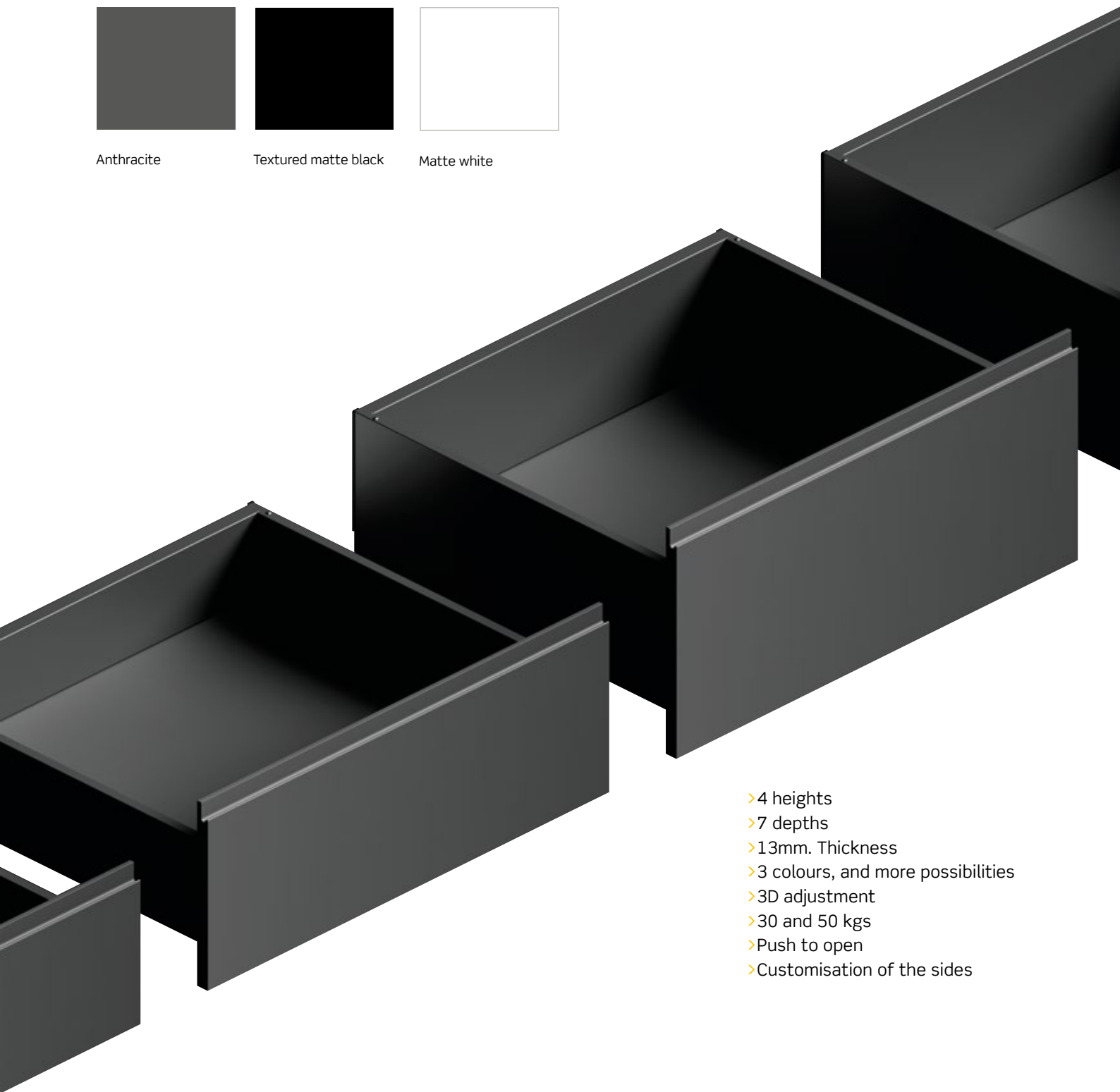
Anthracite



Textured matte black



Matte white



- > 4 heights
- > 7 depths
- > 13mm. Thickness
- > 3 colours, and more possibilities
- > 3D adjustment
- > 30 and 50 kgs
- > Push to open
- > Customisation of the sides

Inspired by Nature, Created for the Future

Imagine standing in front of a natural wonder so impressive that it is impossible not to feel a deep emotion. That is the *Flysch*, one of the planet's greatest natural treasures. A book of rock, whose pages record the geological episodes of the last 60 million years.

The Flysch drawer commemorates more than 60 years of innovation from the coast of Gipuzkoa. Inspired by the stunning geology of the *Flysch*, every detail reflects our dedication and passion for sustainability.

With the Flysch drawer, you choose a quality product and an investment in a more sustainable future.

Join us in this project that unites innovation and history, and feel the connection to millions of years of evolution and transformation, encapsulated in every millimetre of the Flysch drawer.

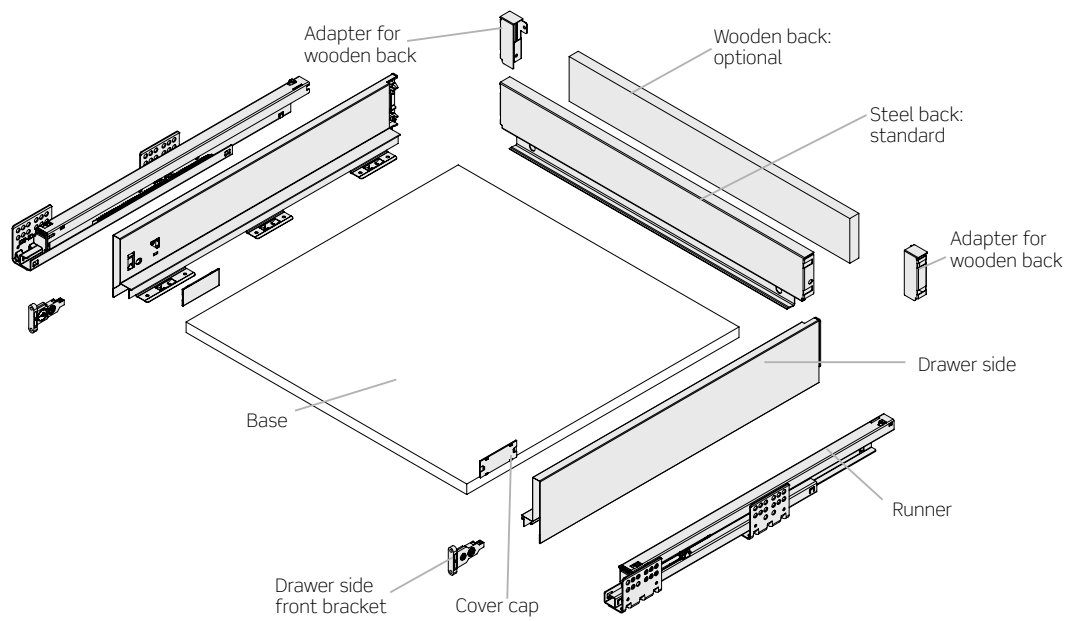




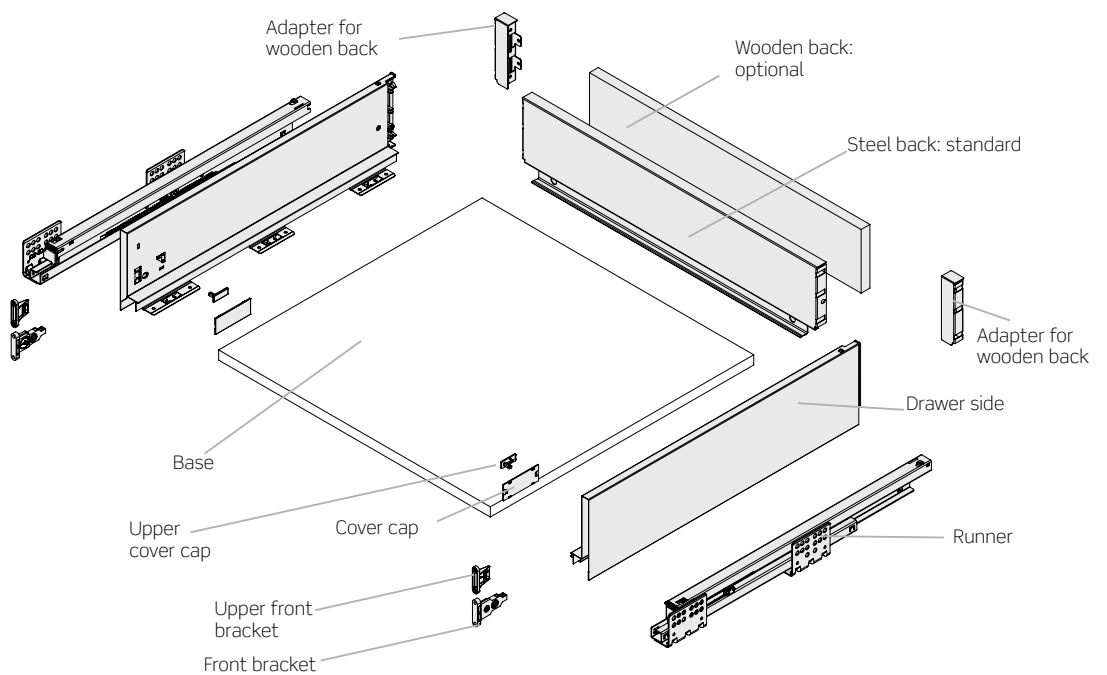
COMPONENTS

DRAWER BREAKDOWN

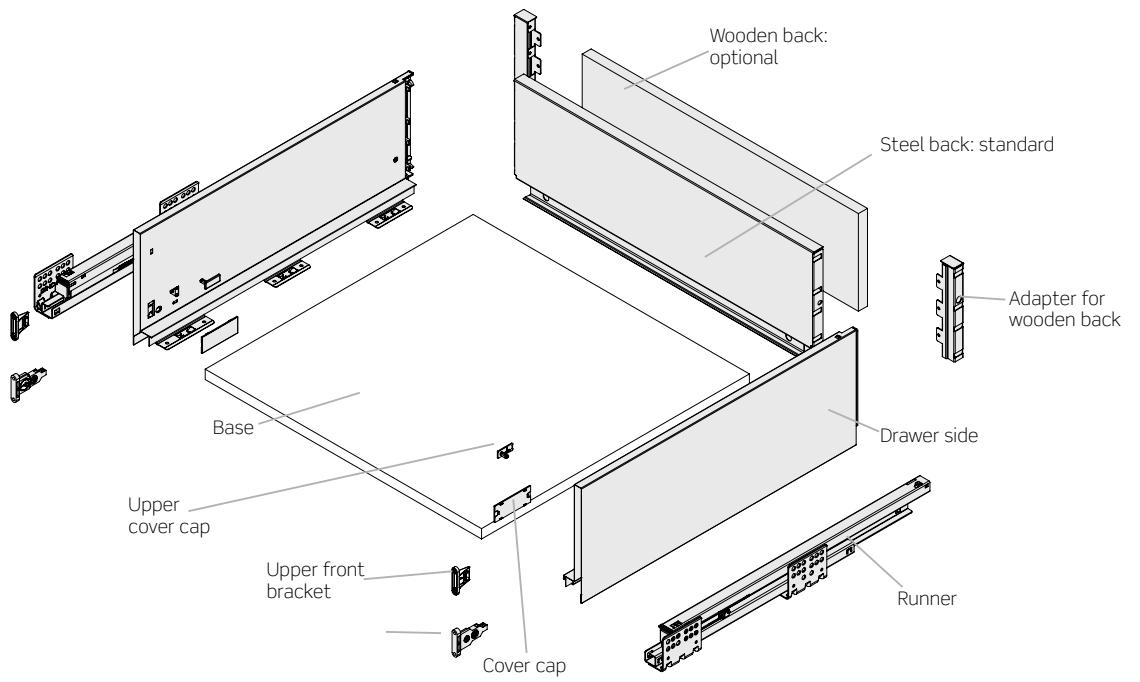
DRAWER H95



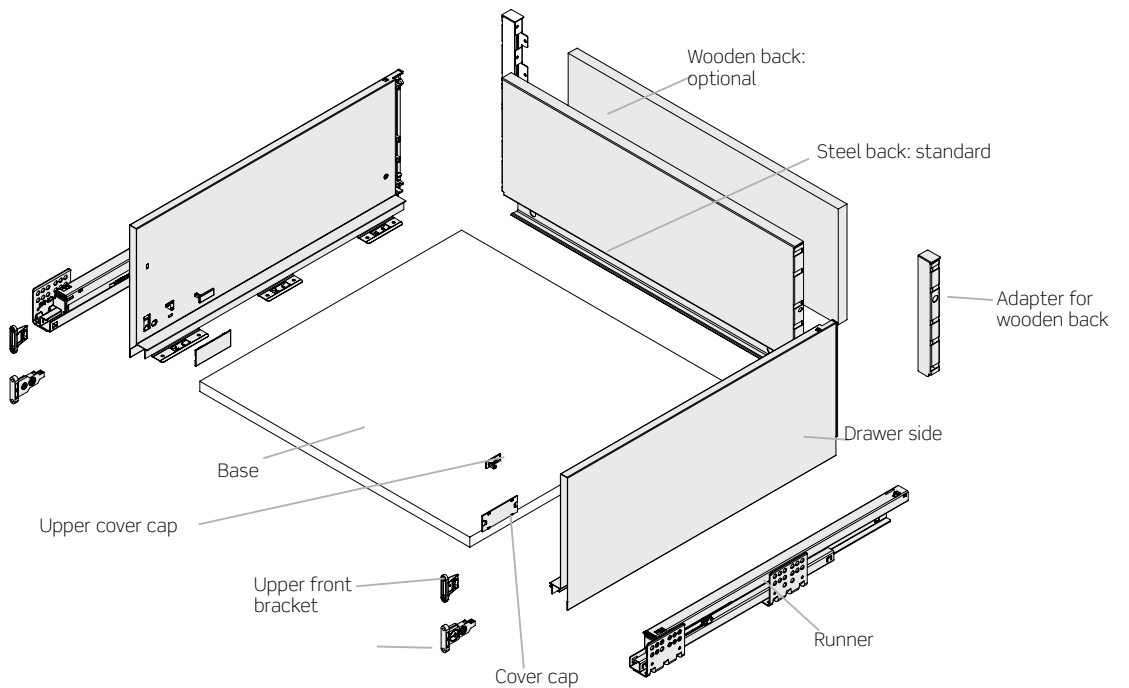
DRAWER H127



DRAWER H178




DRAWER H210



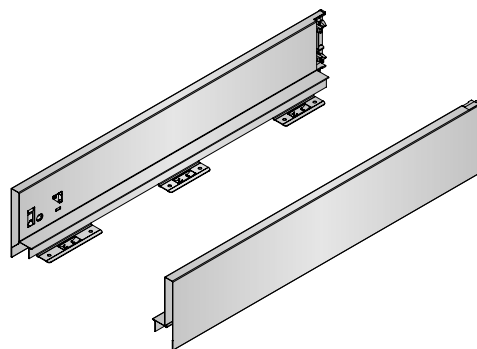
■ Components for H95 standard drawer



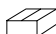
Drawer sides H95

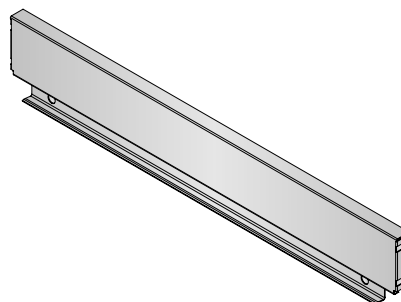
Depth	Text. matte black	Matte white	Anthracite	
270	670.127.021	670.127.813	670.127.835	20
350	670.135.023	670.135.815	670.135.830	
400	670.140.026	670.140.811	670.140.833	
450	670.145.022	670.145.814	670.145.836	
500	670.150.025	670.150.810	670.150.832	
550	670.155.021	670.155.813	670.155.835	
600	670.160.024	670.160.816	670.160.831	

1 set.




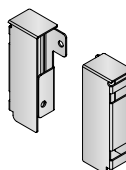
Steel back H95

Module	Text. matte black	Matte white	Anthracite	
300	644.330.024	644.330.816	644.330.831	20
350	644.335.020	644.335.812	644.335.834	
400	644.340.023	644.340.815	644.340.830	
450	644.345.026	644.345.811	644.345.833	
500	644.350.022	644.350.814	644.350.836	
600	644.360.021	644.360.813	644.360.835	
700	644.370.020	644.370.812	644.370.834	
800	644.380.026	644.380.811	644.380.833	
900	644.390.025	644.390.810	644.390.832	
1000	644.310.026	644.310.811	644.310.833	
1200	644.312.023	644.312.815	644.312.830	




Wooden back adapter H95

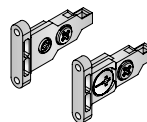
	Text. matte black	Matte white	Anthracite	
1 set.	645.010.026	645.010.811	645.010.833	40



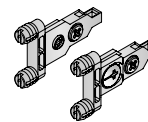
Front bracket

	Screw-mounting	Quick assembly	
1 set.	685.650.103	685.750.100	100


Screw-mounting



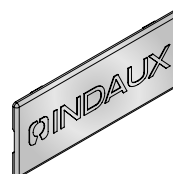
Quick assembly



Cover caps

	Grey R7043	White R9003	Black	
With INDAUX logo	647.010.140	647.010.136	647.010.022	100
Without print	647.910.141	647.910.130	647.910.023	


1 set.



■ Components for H127 standard




Drawer sides H127

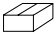
Depth	Text. matte black	Matte white	Anthracite	
270	670.227.025	670.227.810	670.227.832	20
350	670.235.020	670.235.812	670.235.834	
400	670.240.023	670.240.815	670.240.830	
450	670.245.026	670.245.811	670.245.833	
500	670.250.022	670.250.814	670.250.836	
550	670.255.025	670.255.810	670.255.832	
600	670.260.021	670.260.813	670.260.835	

1 set.


Steel back H127

Module	Text. matte black	Matte white	Anthracite	
300	644.331.026	644.331.811	644.331.833	20
350	644.336.022	644.336.814	644.336.836	
400	644.341.025	644.341.810	644.341.832	
450	644.346.021	644.346.813	644.346.835	
500	644.351.024	644.351.816	644.351.831	
600	644.361.023	644.361.815	644.361.830	
700	644.371.022	644.371.814	644.371.836	
800	644.381.021	644.381.813	644.381.835	
900	644.391.020	644.391.812	644.391.834	
1000	644.311.021	644.311.813	644.311.835	
1200	644.313.025	644.313.810	644.313.832	


Wooden back adapter H127

	Text. matte black	Matte white	Anthracite	
1 set.	645.110.023	645.110.815	645.110.830	40


Front bracket

	Screw-mounting	Quick assembly	
1 set.	685.650.103	685.750.100	100

Upper front bracket


	Screw-mounting	Quick assembly	
1 set.	685.670.101	685.770.105	100

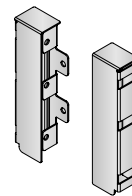
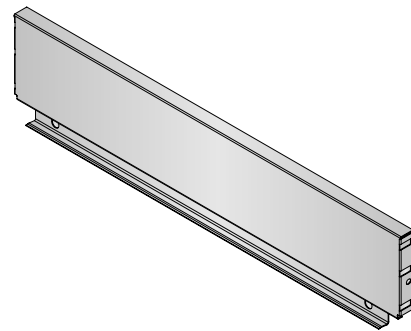
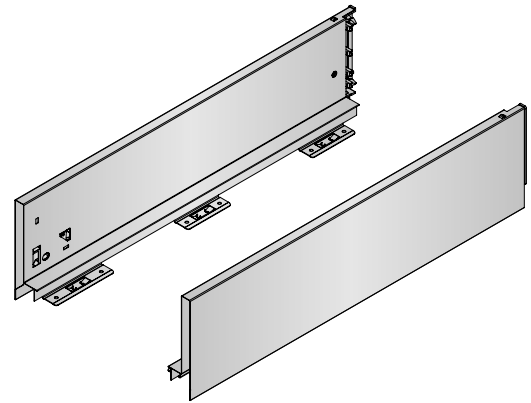
Cover caps

	Grey R7043	White R9003	Black	
With INDAUX logo	647.010.140	647.010.136	647.010.022	100
Without print	647.910.141	647.910.130	647.910.023	

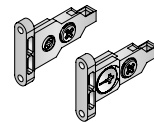
1 set.

Upper cover caps

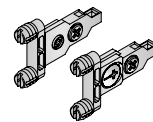
	Grey R7043	White R9003	Black	
1 set.	647.960.143	647.960.132	647.960.025	100



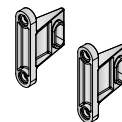
Screw-mounting



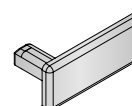
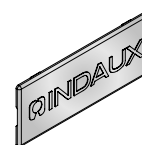
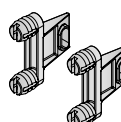
Quick assembly



Upper front bracket




Quick assembly



Components for H178

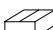


Drawer sides H178

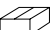
Depth	Text. matte black	Matte white	Anthracite	
270	670.327.022	670.327.814	670.327.836	10
350	670.335.024	670.335.816	670.335.831	
400	670.340.020	670.340.812	670.340.834	
450	670.345.023	670.345.815	670.345.830	
500	670.350.026	670.350.811	670.350.833	
550	670.355.022	670.355.814	670.355.836	
600	670.360.025	670.360.810	670.360.832	

1 set.

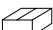
Steel back H178

Module	Text. matte black	Matte white	Anthracite	
300	644.430.021	644.430.813	644.430.835	20
350	644.435.024	644.435.816	644.435.831	
400	644.440.020	644.440.812	644.440.834	
450	644.445.023	644.445.815	644.445.830	
500	644.450.026	644.450.811	644.450.833	
600	644.460.025	644.460.810	644.460.832	
700	644.470.024	644.470.816	644.470.831	
800	644.480.023	644.480.815	644.480.830	
900	644.480.022	644.480.814	644.480.836	
1000	644.410.023	644.410.815	644.410.830	
1200	644.412.020	644.412.812	644.412.834	

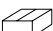
Wooden back adapter H178

	Text. matte black	Matte white	Anthracite	
1 set.	645.210.020	645.210.812	645.210.834	40


Front bracket

	Screw-mounting	Quick assembly	
1 set.	685.650.103	685.750.100	100

Upper front bracket

	Screw-mounting	Quick assembly	
1 set.	685.670.101	685.770.105	100

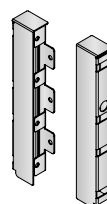
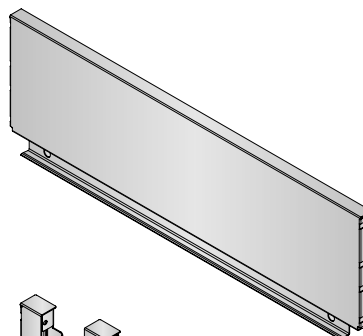
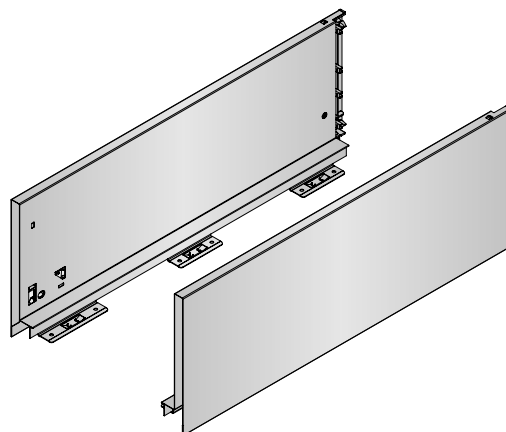
Cover caps

	Grey R7043	White R9003	Black	
With INDAUX logo	647.010.140	647.010.136	647.010.022	100
Without print	647.910.141	647.910.130	647.910.023	

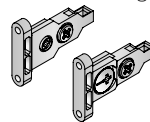
1 set.

Upper cover caps

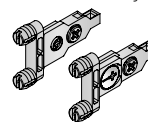
	Grey R7043	White R9003	Black	
1 set.	647.960.143	647.960.132	647.960.025	100



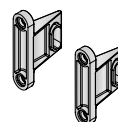
Screw-mounting



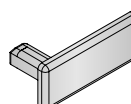
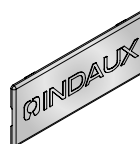
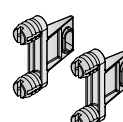
Quick assembly



Upper front bracket




Quick assembly



■ Components for H210 standard




Drawer sides H210


Depth	Text. matte black	Matte white	Anthracite	
270	670.427.026	670.427.811	670.427.833	10
350	670.435.021	670.435.813	670.435.835	
400	670.440.024	670.440.816	670.440.831	
450	670.445.020	670.445.812	670.445.834	
500	670.450.023	670.450.815	670.450.830	
550	670.455.026	670.455.811	670.455.833	
600	670.460.022	670.460.814	670.460.836	

1 set.


Steel back H210

Module	Text. matte black	Matte white	Anthracite	
300	644.431.023	644.431.815	644.431.830	20
350	644.436.026	644.436.811	644.436.833	
400	644.441.022	644.441.814	644.441.836	
450	644.446.025	644.446.810	644.446.832	
500	644.451.021	644.451.813	644.451.835	
600	644.461.020	644.461.812	644.461.834	
700	644.471.026	644.471.811	644.471.833	
800	644.481.025	644.481.810	644.481.832	
900	644.491.024	644.491.816	644.491.831	
1000	644.411.025	644.411.810	644.411.832	
1200	644.413.022	644.413.814	644.413.836	


Wooden back adapter H210

	Text. matte black	Matte white	Anthracite	
1 set.	645.220.026	645.220.811	645.220.833	40


Front bracket

	Screw-mounting	Quick assembly	
1 set.	685.650.103	685.750.100	100

Upper front bracket


	Screw-mounting	Quick assembly	
1 set.	685.670.101	685.770.105	100

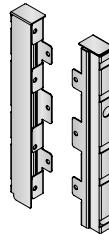
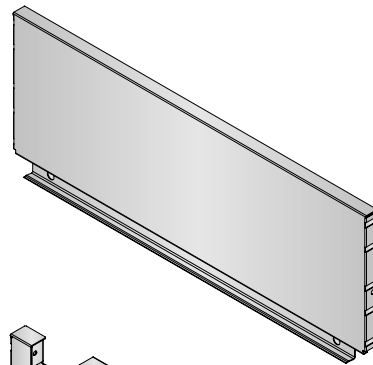
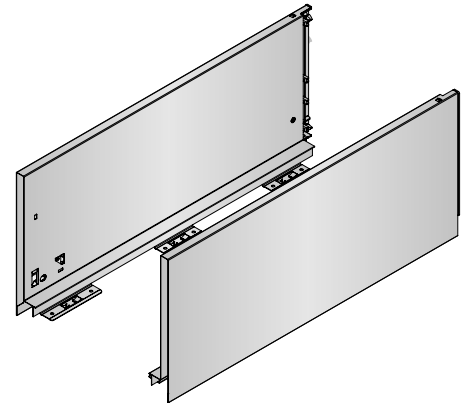
Cover caps

	Grey R7043	White R9003	Black	
With INDAUX logo	647.010.140	647.010.136	647.010.022	100
Without print	647.910.141	647.910.130	647.910.023	

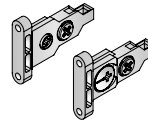
1 set.

Upper cover caps

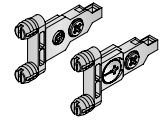
	Grey R7043	White R9003	Black	
1 set.	647.960.143	647.960.132	647.960.025	100



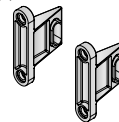
Screw-mounting



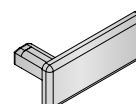
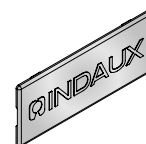
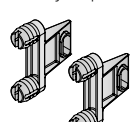
Quick assembly



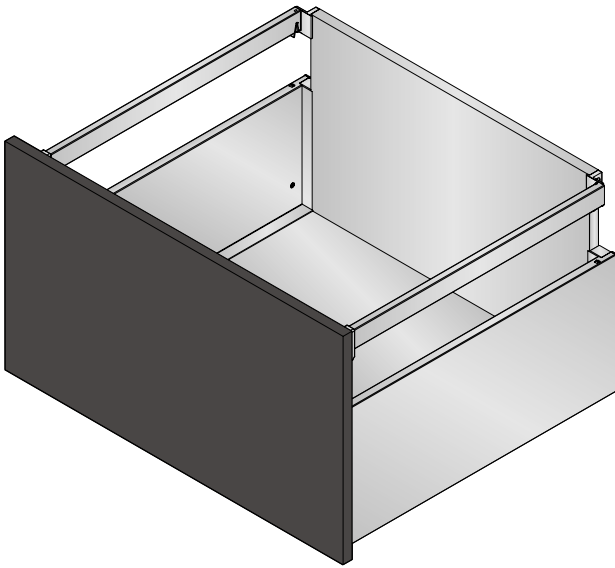
Upper front bracket




Montaje rápido

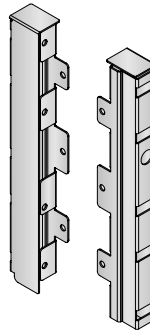


■ Pan drawer accessories




Wooden back adapter

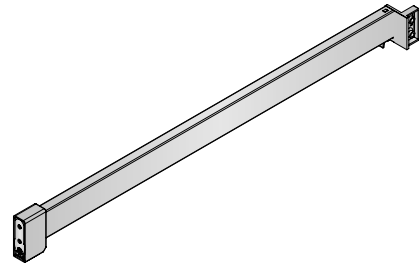
	Text. matte black	Matte white	Anthracite	
1 set.	645.500.026	645.500.811	645.500.833	40



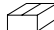
Side tube

Depth	Text. matte black	Matte white	Anthracite	
270	645.527.024	645.527.816	645.527.831	20
350	645.535.026	645.535.811	645.535.833	
400	645.540.022	645.540.814	645.540.836	
450	645.545.025	645.545.810	645.545.832	
500	645.550.021	645.550.813	645.550.835	
550	645.555.024	645.555.816	645.555.831	
600	645.560.020	645.560.812	645.560.834	

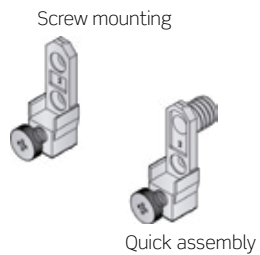
1 set.



Front bracket for side tube


		
Quick assembly	646.900.144	100
Screw mounting	646.800.140	

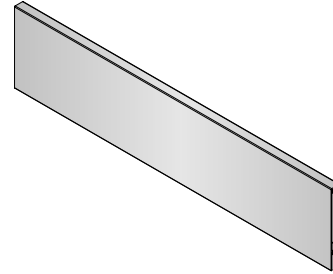
1 set.




■ Components for H95 interior drawer

Interior H95 drawer front cut-to measure

L	Text. matte black	Matte white	Anthracite	
1075	646.010.024	646.010.816	646.010.831	20

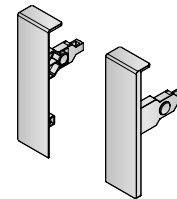


Interior H95 drawer front

Module	Text. matte black	Matte white	Anthracite	
M300	646.030.022	646.030.814	646.030.836	20
M350	646.035.025	646.035.810	646.035.832	
M400	646.040.021	646.040.813	646.040.835	
M450	646.045.024	646.045.816	646.045.831	
M500	646.050.020	646.050.812	646.050.834	
M600	646.060.026	646.060.811	646.060.833	
M700	646.070.025	646.070.810	646.070.832	
M800	646.080.024	646.080.816	646.080.831	
M900	646.090.023	646.090.815	646.090.830	
M1000	646.010.024	646.010.816	646.010.831	
M1200	646.012.021	646.012.813	646.012.835	


Bag of components for interior H95 drawer front

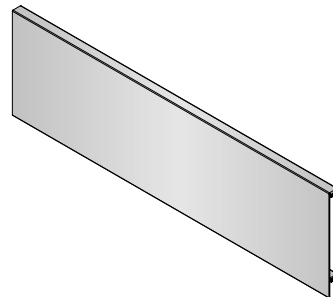
	Black	White	Grey RAL 7043	
1set	646.309.020	646.309.134	646.309.145	20



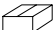
■ Components for H127 interior drawer

Interior H127 drawer front cut-to measure

L	Text. matte black	Matte white	Anthracite	
1075	646.110.021	646.110.813	646.110.835	20

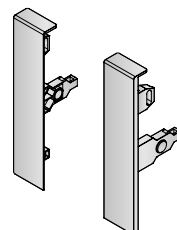


Interior H127 drawer front

Module	Text. matte black	Matte white	Anthracite	
M300	646.130.026	646.130.811	646.130.833	20
M350	646.135.022	646.135.814	646.135.836	
M400	646.140.025	646.140.810	646.140.832	
M450	646.145.021	646.145.813	646.145.835	
M500	646.150.024	646.150.816	646.150.831	
M600	646.160.023	646.160.815	646.160.830	
M700	646.170.022	646.170.814	646.170.836	
M800	646.180.021	646.180.813	646.180.835	
M900	646.190.020	646.190.812	646.190.834	
M1000	646.110.021	646.110.813	646.110.835	
M1200	646.112.025	646.112.810	646.112.832	


Bag of components for interior H127 drawer front

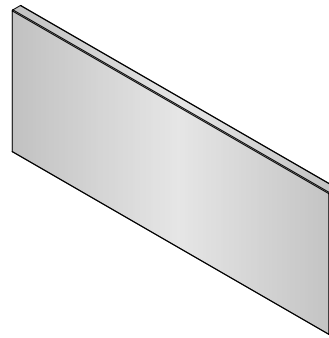
	Black	White	Grey RAL 7043	
1set	646.312.026	646.312.133	646.312.144	20




■ Components for H178 interior drawer

Interior H127 drawer front cut-to-measure


L	Text. matte black	Matte white	Anthracite	
1075	646.210.025	646.210.810	646.210.832	20

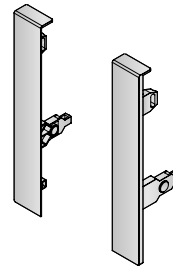


Interior H127 drawer front

Module	Text. matte black	Matte white	Anthracite	
M300	646.230.023	646.230.815	646.230.830	20
M350	646.235.026	646.235.811	646.235.833	
M400	646.240.022	646.240.814	646.240.836	
M450	646.245.025	646.245.810	646.245.832	
M500	646.250.021	646.250.813	646.250.835	
M600	646.260.020	646.260.812	646.260.834	
M700	646.270.026	646.270.811	646.270.833	
M800	646.280.025	646.280.810	646.280.832	
M900	646.290.024	646.290.816	646.290.831	
M1000	646.210.025	646.210.810	646.210.832	
M1200	646.212.022	646.212.814	646.212.836	


Bag of components for interior H178 drawer front

	Black	White	Grey RAL 7043	
1set	646.317.022	646.317.136	646.317.140	20

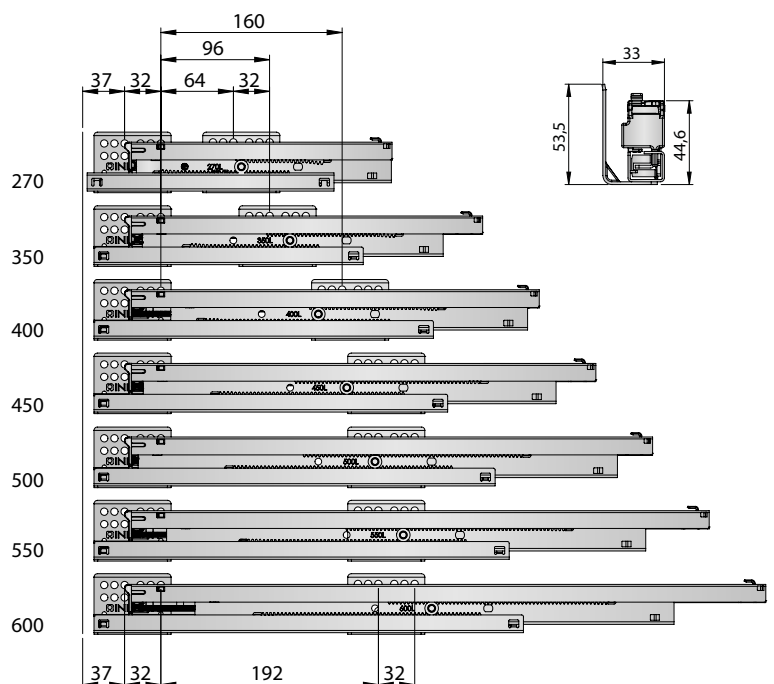
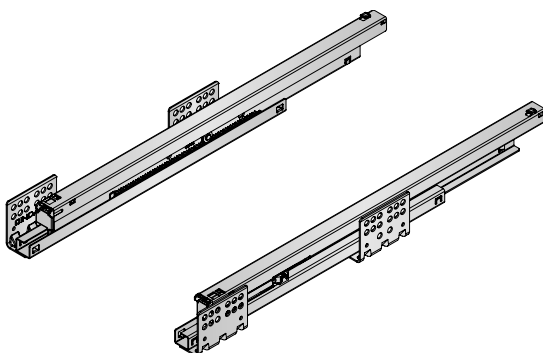


■ Synchronised runner

Full extension runner


Depth	30Kg.	50Kg.	
270	671.927.034	669.927.031	10
350	671.935.036	669.935.033	
400	671.940.032	669.940.036	
450	671.945.035	669.945.032	
500	671.950.031	669.950.035	
550	671.955.034	669.955.031	
600	671.960.030	669.960.034	

1set



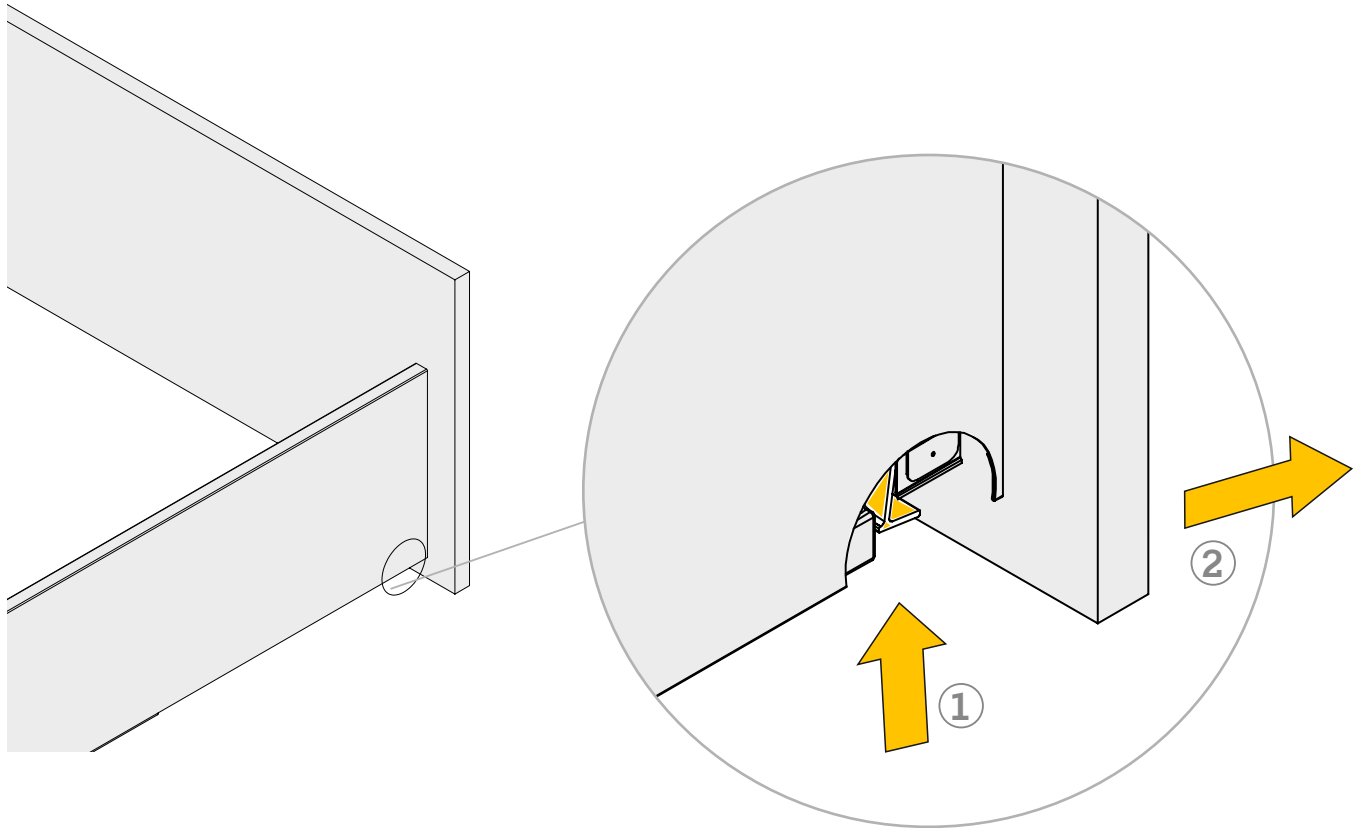
■ Cutlery trays

Cutlery trays

Module	White	Black	
M300	663.130.812	663.130.020	 10
M350	663.135.815	663.135.023	
M400	663.140.811	663.140.026	
M450	663.145.814	663.145.022	
M500	663.150.810	663.150.025	
M600	663.160.816	663.160.024	
M700	663.170.815	663.170.023	
M800	663.180.814	663.180.022	
M900	663.190.813	663.190.021	
M1000	663.110.814	663.110.022	
M1200	663.112.811	663.112.026	

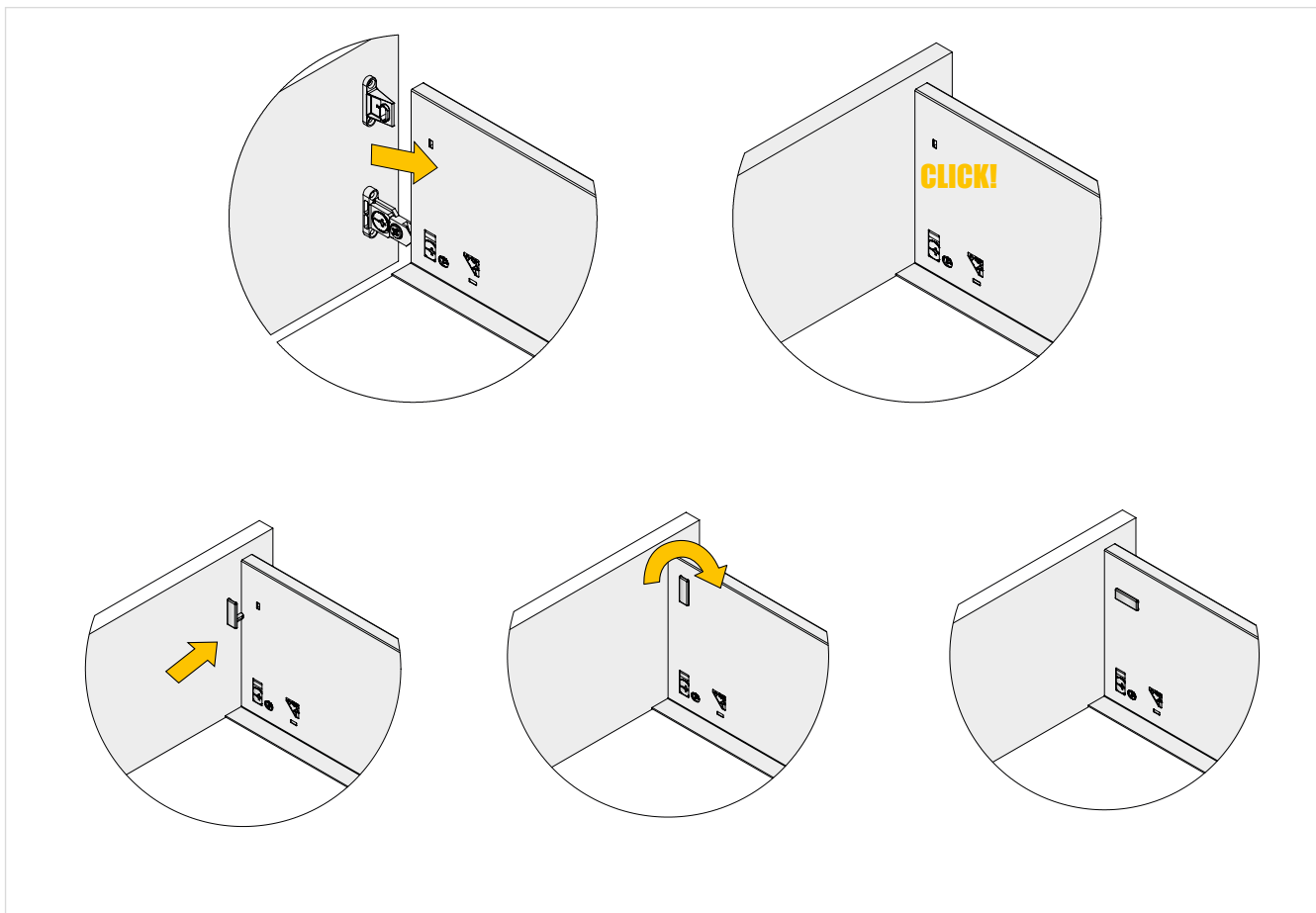


■ Drawer disassembly

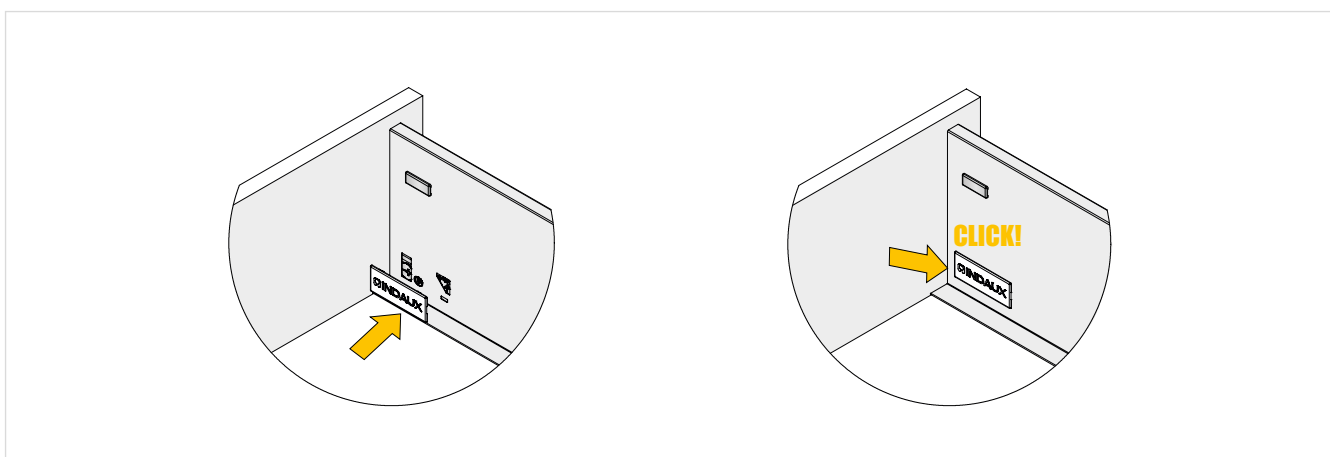


TECHNICAL INFORMATION

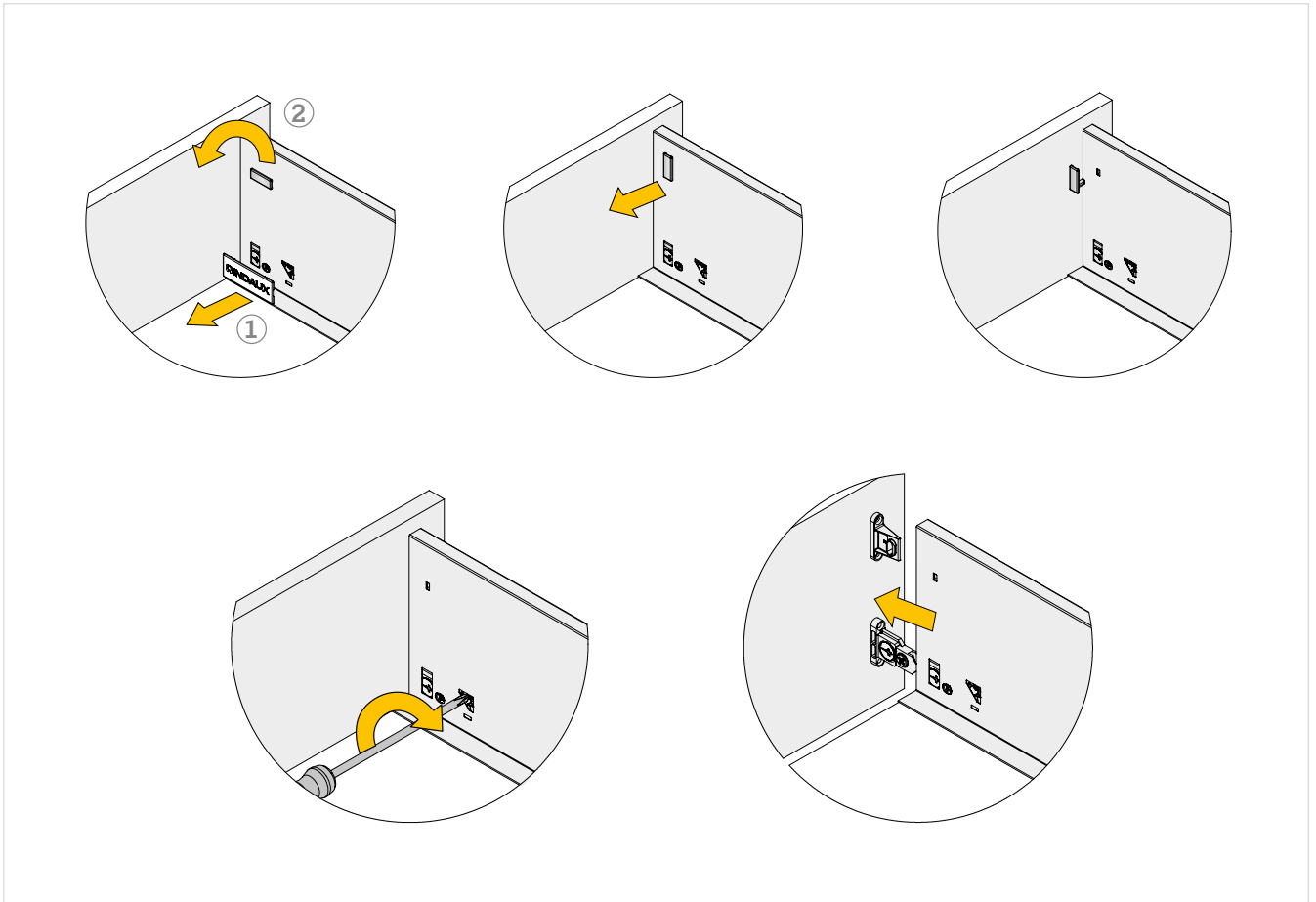
■ Front assembly



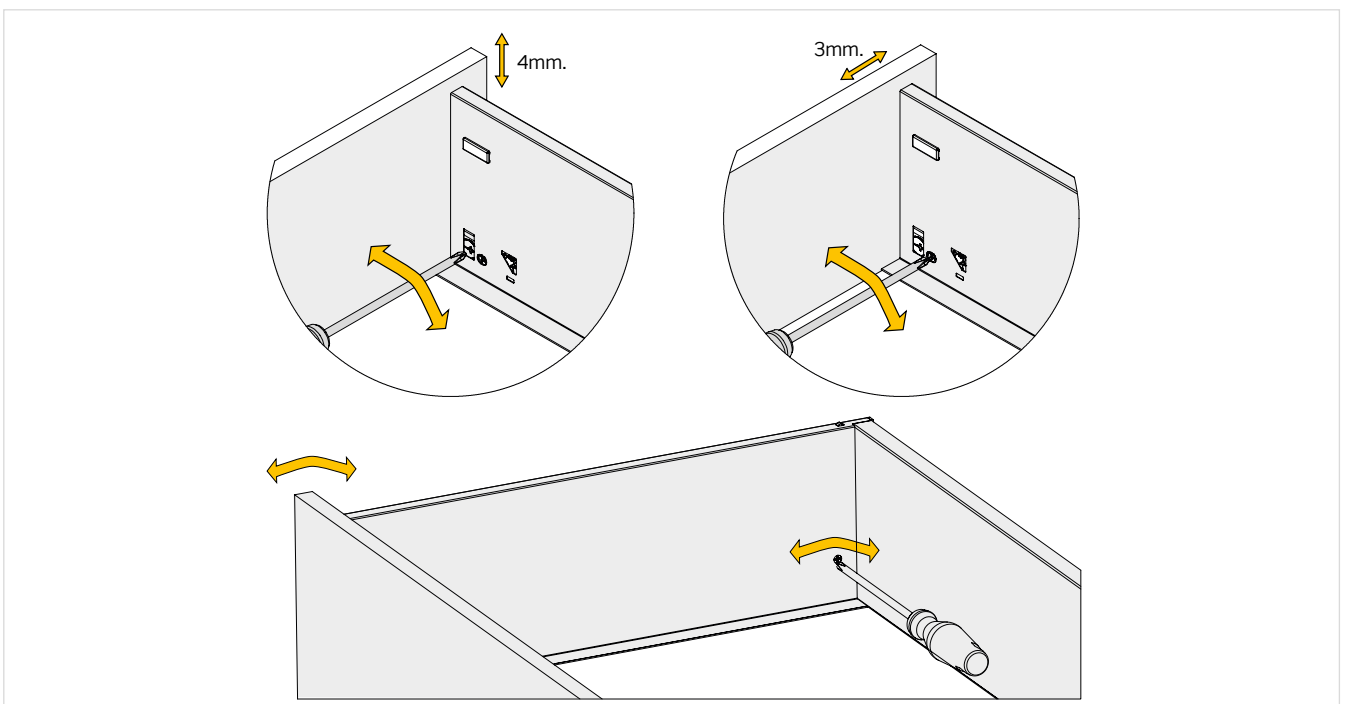
■ Cap assembly



■ Front disassembly



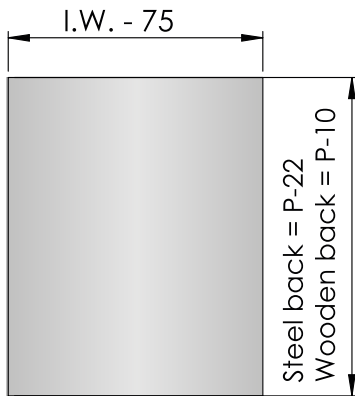
■ 3D adjustment



TECHNICAL INFORMATION

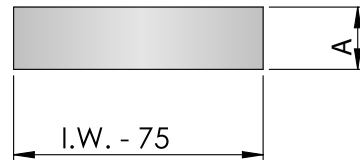
■ Drawer base dimensions

Wooden base dimensions



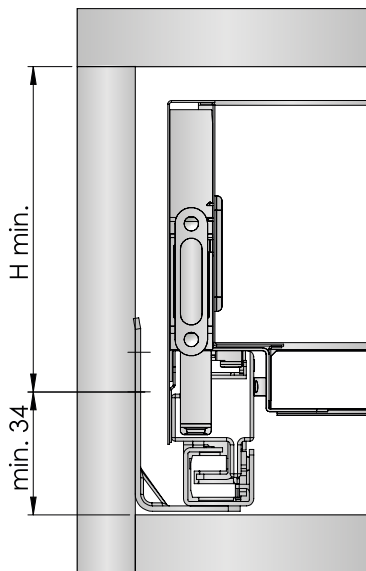
I.W. = Inner cabinet width / P = Nominal length

Wooden back dimensions



Drawer height	A min.
H95	68
H127	100
H178	151
H210	183

Space requirement in cabinet for standard drawer

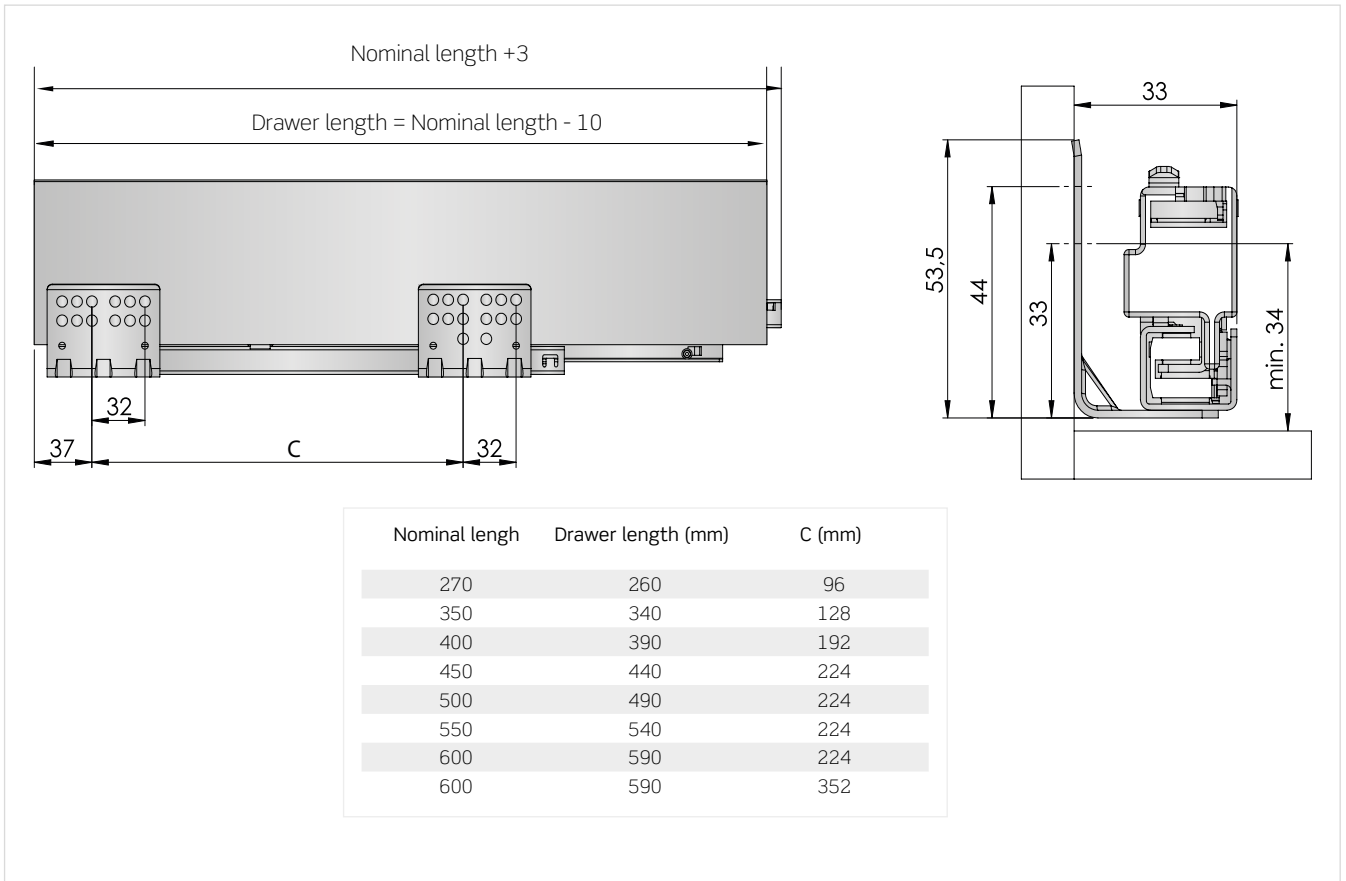


I.W. = Inner cabinet width / P = Nominal length

Drawer height	H min.
H95	83
H127	115*
H178	169*
H210	201*

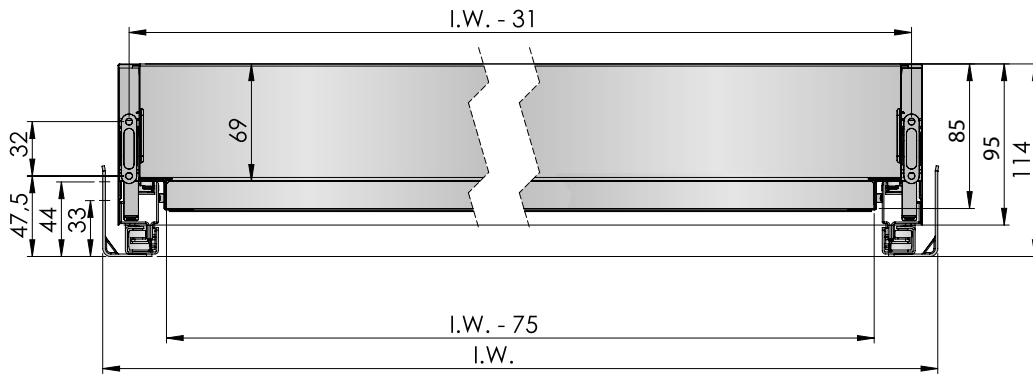
* Includes the additional space required by tilt adjustment

■ *Drilling and positioning for the drawer runner*

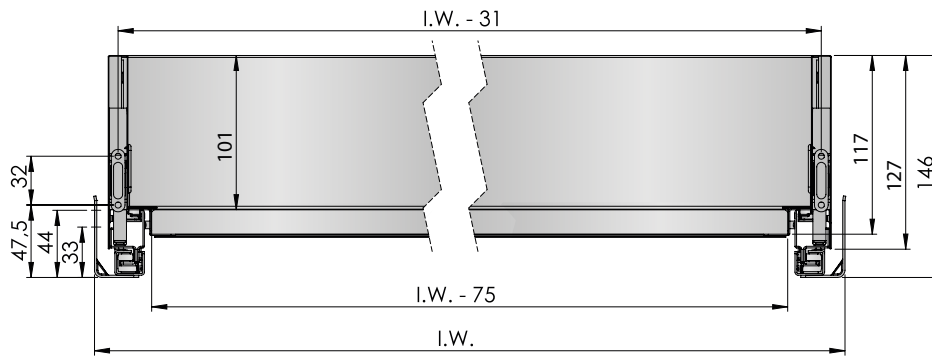


■ *Dilling for the drawer front*

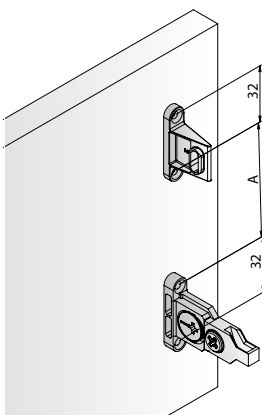
Drawer H95



Drawer H127



Lower and upper front brackets drilling

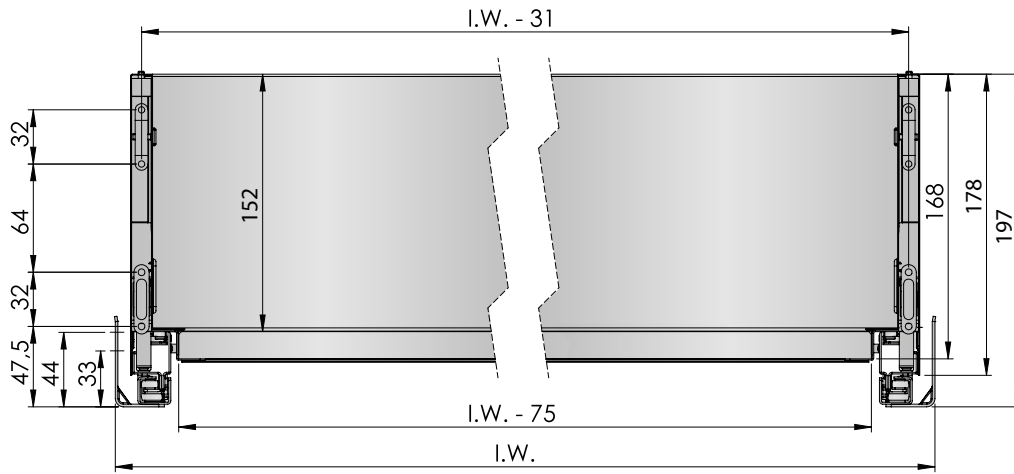


Drilling for the front brackets

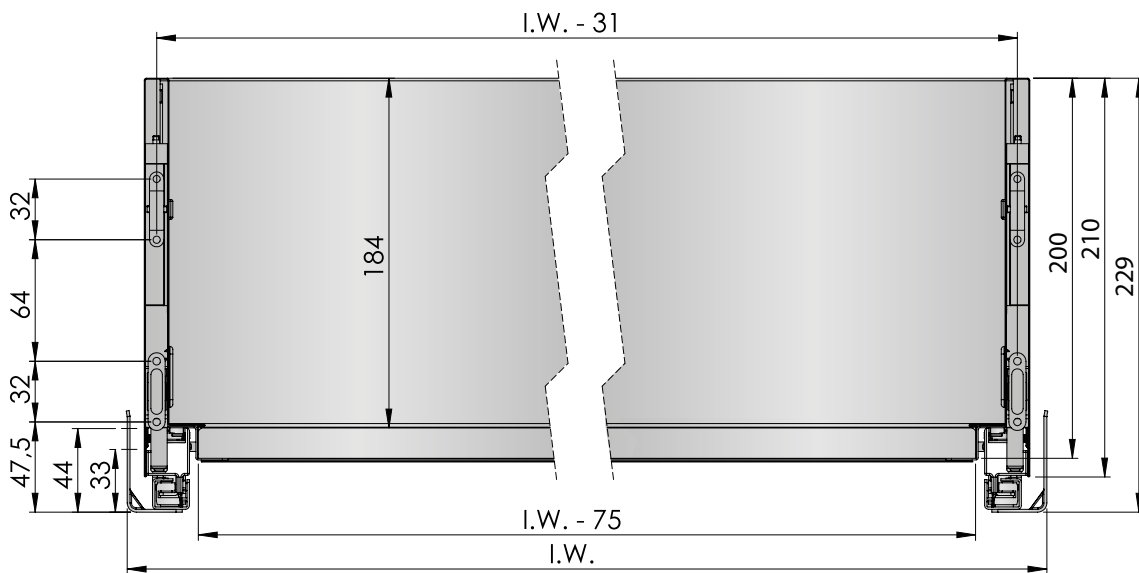
	A
H127	20
H178	64
H210	64

■ Dilling for the drawer front

Drawer H178

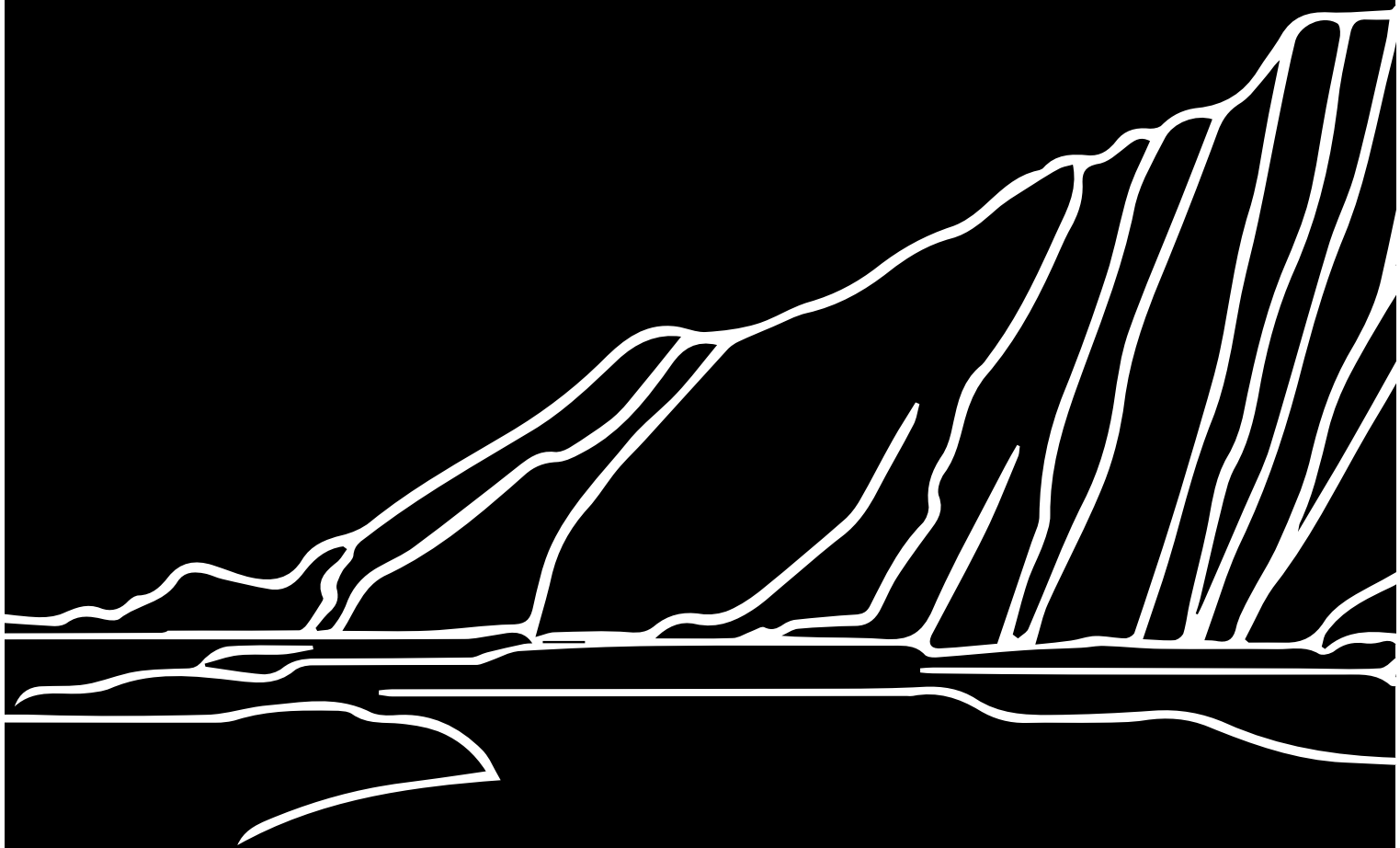


Drawer H210



INDUSTRIAS AUXILIARES (INDAUX), S.A.U.

San Prudencio, s/n
20808 Getaria (Guipúzcoa)
Apto. Correos 132
20800 Zarautz (Guipúzcoa)
ESPAÑA - SPAIN
Telf. +34 943 140 300
e-mail indaux@indaux.com



www.indaux.com

